

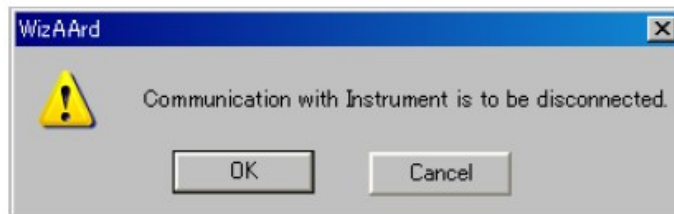
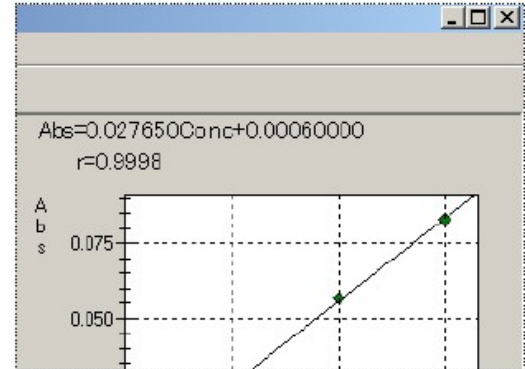
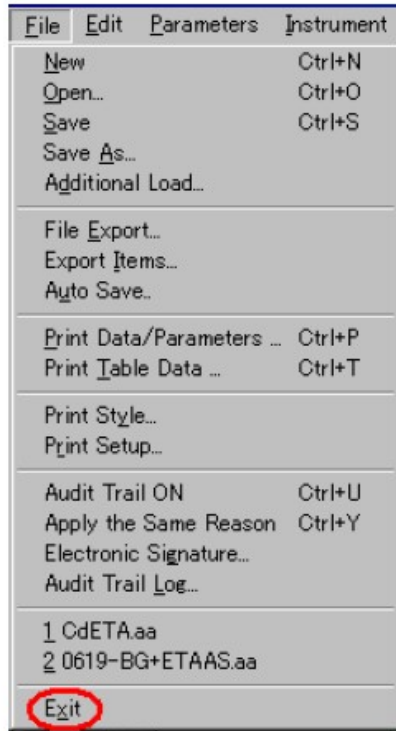
## AA – Preparing your instrument for shutdown

1. For flame analysis, aspirate DI water through the instrument for 5 minutes to flush it out. For Graphite furnace analysis, do 3-5 injections of DI water to clean out the system
2. If the flame is lit, press the red 'Extinguish' button to turn off the flame.

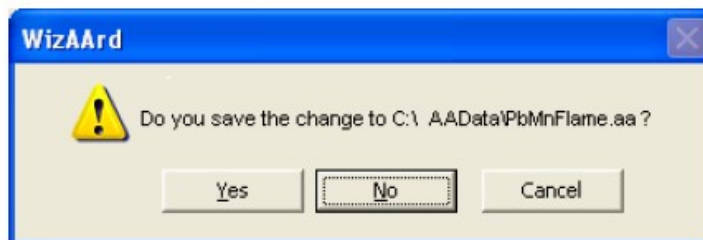


3. Exit out of the software

To terminate the measurement and shutdown the instrument, [Exit] in [File] is clicked or [x] at the upper right of main screen is clicked.



[OK] in the left window is clicked. If the data is not saved, following message window comes up.

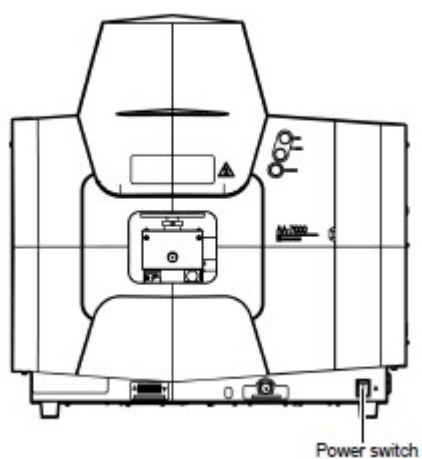


If the change to the file was not saved, the message comes out. Save the file, if necessary.

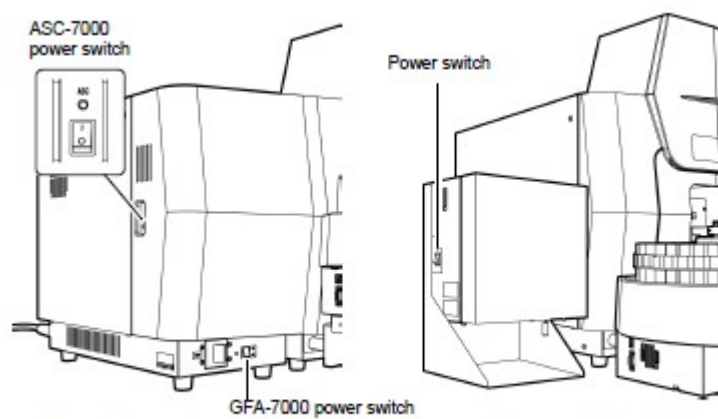
The communication with the instrument is shut off and the software is closed.

4. Turn the power off on all applicable optional devices

4.1 Main unit

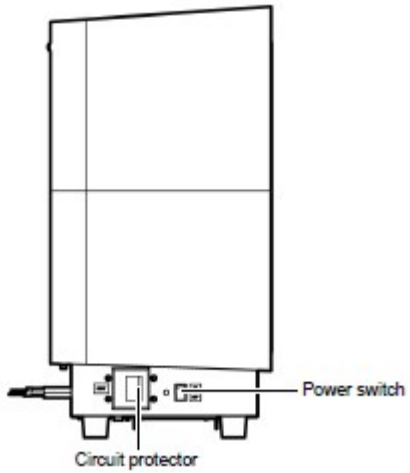


4.2 Auto-sampler

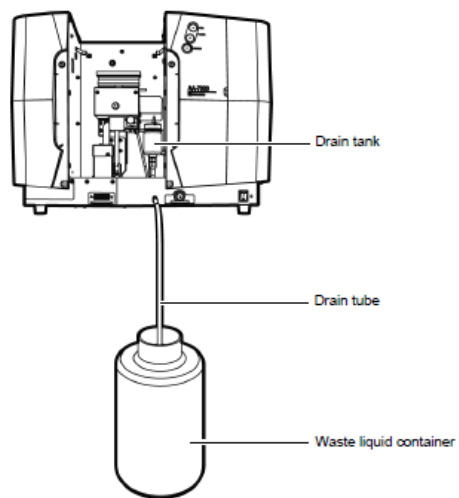


When the controller section of the ASC-7000 is incorporated into the GFA-7000 (left)  
When the ASC-7000 is mounted on a stand (right)

### 4.3 Graphite Furnace



5. Turn off all gases at the source
6. Turn off chiller or cooling water supply if applicable.
7. Empty the DRAIN ASSY (Drain tank), the drain tube and the waste liquid container





Shimadzu Europa GmbH

[www.shimadzu.eu](http://www.shimadzu.eu)

**For Research Use Only. Not for use in diagnostic procedures.**

This publication may contain references to products that are not available in your country. Please contact us to check the availability of these products in your country.

Company names, products/service names and logos used in this publication are trademarks and trade names of Shimadzu Corporation, its subsidiaries or its affiliates, whether or not they are used with trademark symbol "TM" or "®".

Third-party trademarks and trade names may be used in this publication to refer to either the entities or their products/services, whether or not they are used with trademark symbol "TM" or "®".

Shimadzu disclaims any proprietary interest in trademarks and trade names other than its own.

The contents of this publication are provided to you "as is" without warranty of any kind, and are subject to change without notice.

Shimadzu does not assume any responsibility or liability for any damage, whether direct or indirect, relating to the use of this publication.

© Shimadzu Corporation, 2016